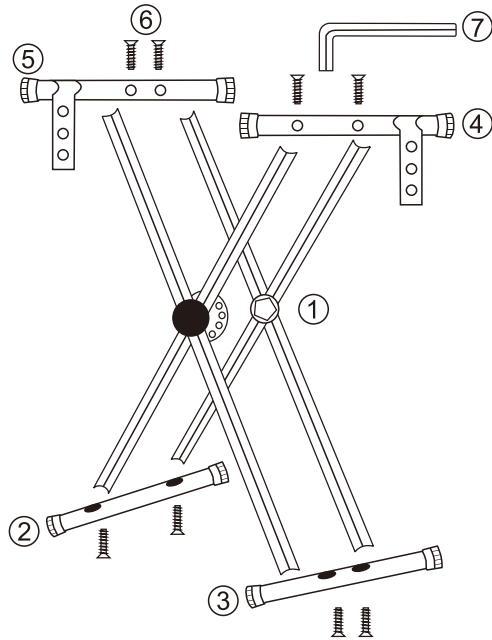
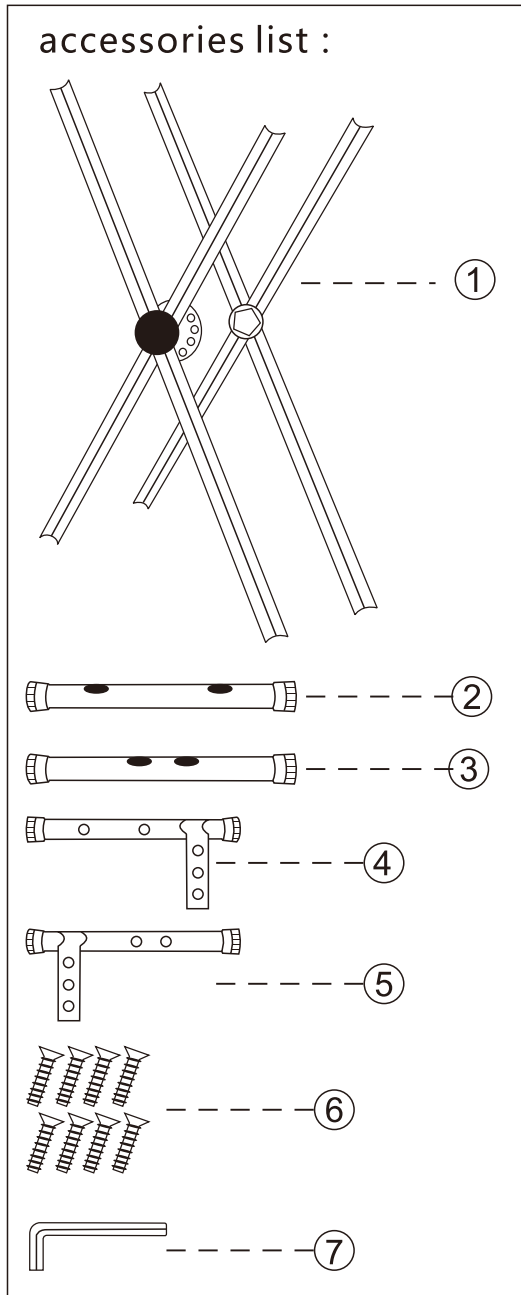
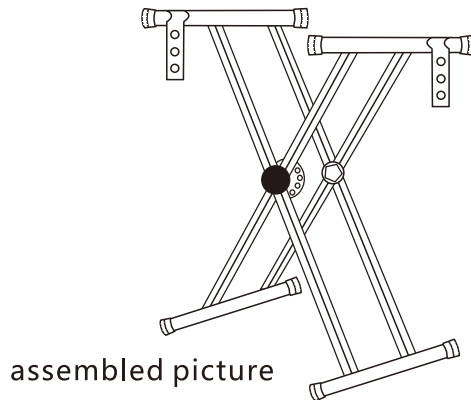


Xkeyboard bracket installation diagram



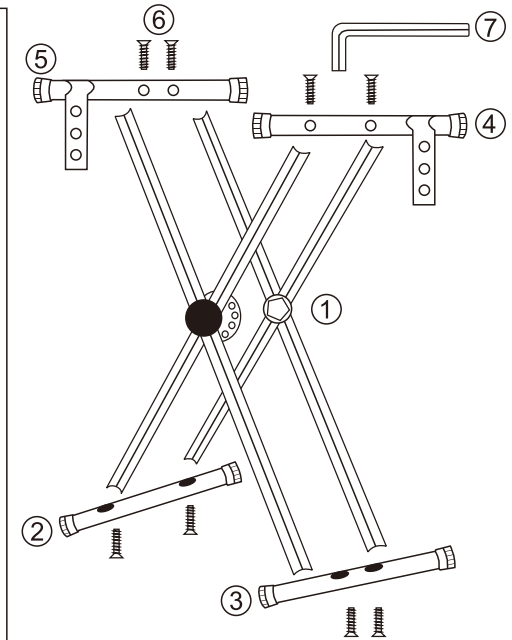
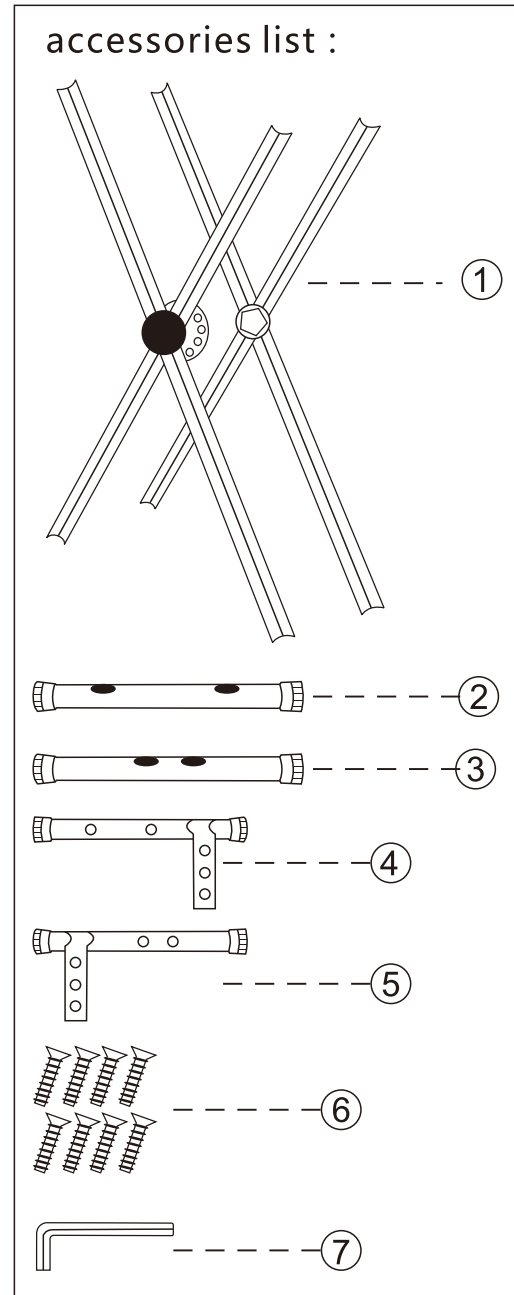
1.respectively.put the bracket foot② and③in the position of the direction shown in the figure . using the tool⑦ tighten the screws⑥on the X bracket①

2.respectively.put piano upper rack beam④and⑤in the direction shown by picture . withttools⑦ . fastening screws ⑥ X Bracker① on.



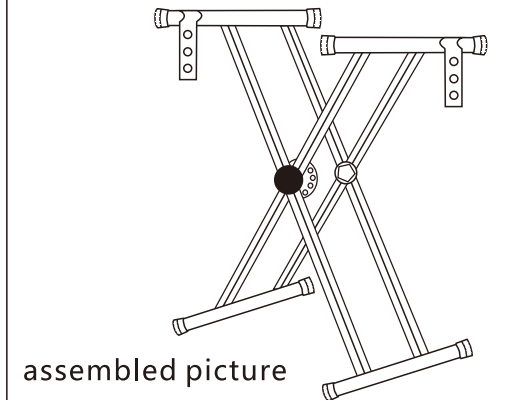
made in china

Xkeyboard bracket installation diagram



1.respectively.put the bracket foot② and③in the position of the direction shown in the figure . using the tool⑦ tighten the screws⑥on the X bracket①

2.respectively.put piano upper rack beam④and⑤in the direction shown by picture . withttools⑦ . fastening screws ⑥ X Bracker① on.



made in china